

2 PIECES BALL VALVE PN63 MALE - FEMALE



ISO 9001 : 2015



TÜVRheinland
PED/2014/68/UE



Certificate 3.1

Size : DN 1/4" to 2"
Ends : Male - Female BSP
Min Temperature : - 20°C
Max Temperature : + 180°C
Max Pressure : 63 Bars
Specifications : Anti blow-out stem
Locking device
Full bore

Materials : Stainless steel ASTM A351 CF8M

2 PIECES BALL VALVE PN63 MALE - FEMALE

SPECIFICATIONS :

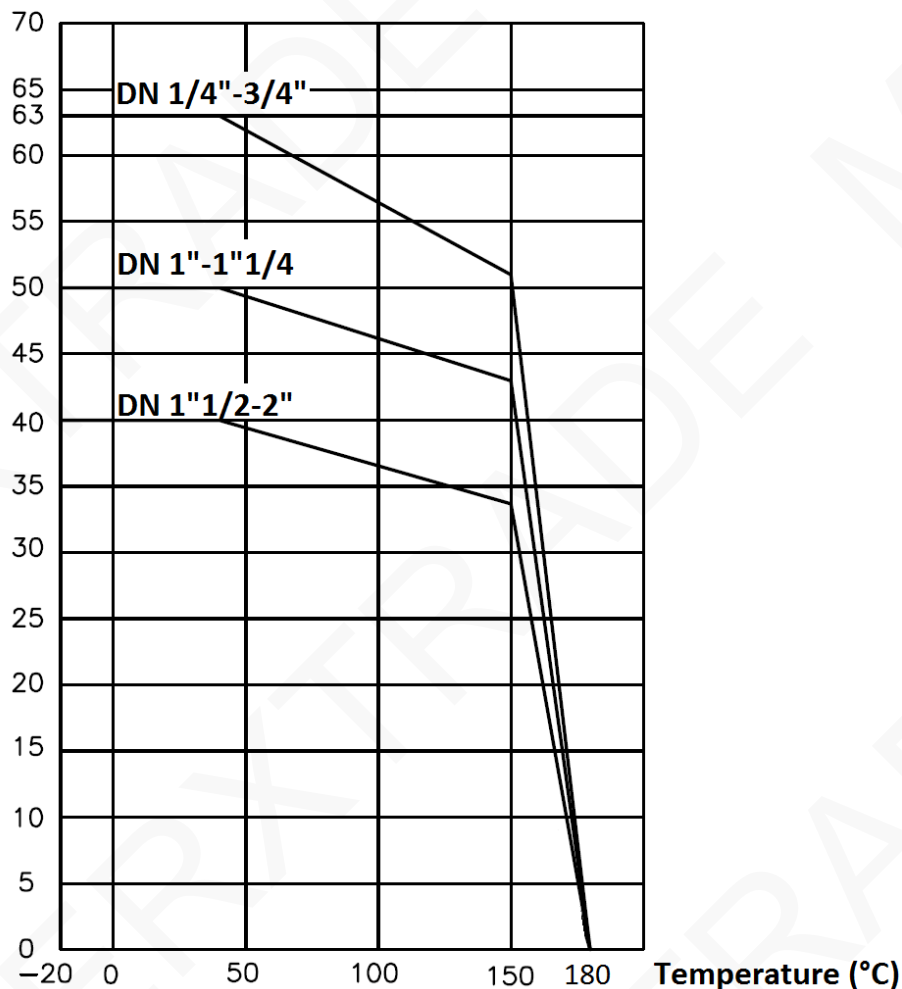
- Full bore
- Anti blow-out stem
- PTFE packing
- Locking device
- Solid ball
- 2 pieces type

USE :

- Chemical and pharmaceutical industries, petrochemical industries, hydraulic installation, compressed air
- Min and max Temperature Ts : -20°C to + 180°C
- Max Pressure Ps : 63 bars up to DN3/4", 50 bars DN 1" to 1"1/4 and 40 bars DN 1"1/2 to 2" (see graph)

PRESSURE / TEMPERATURE GRAPH (STEAM EXCLUDED) :

PRESSURE (Bar)



2 PIECES BALL VALVE PN63 MALE - FEMALE

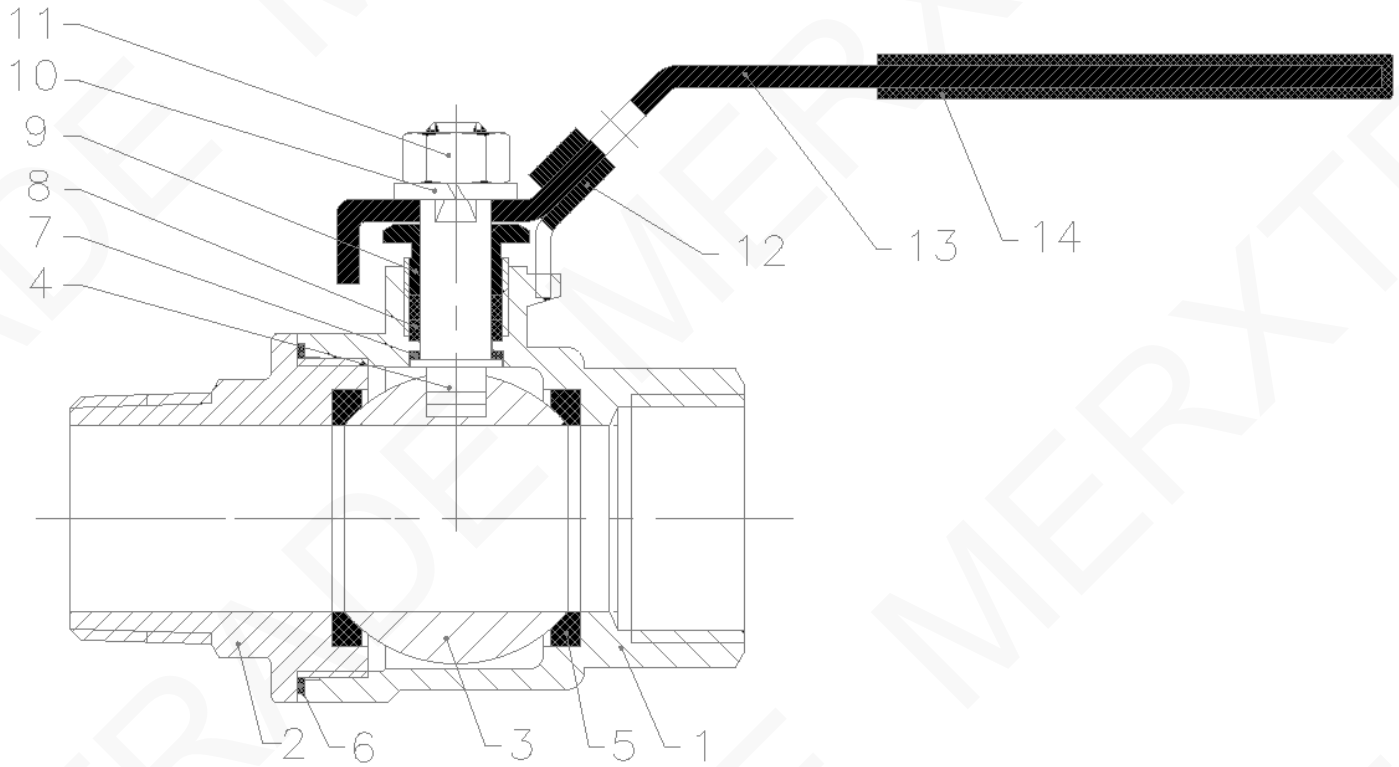
RANGE :



- Stainless steel Male / female cylindrical BSP threaded with red flat steel handle DN 1/4" to DN 2" **Ref.789**
- Butterfly handle **Ref. 9831441 to 9831443** from DN 1/4" to DN 1"

2 PIECES BALL VALVE PN63 MALE - FEMALE

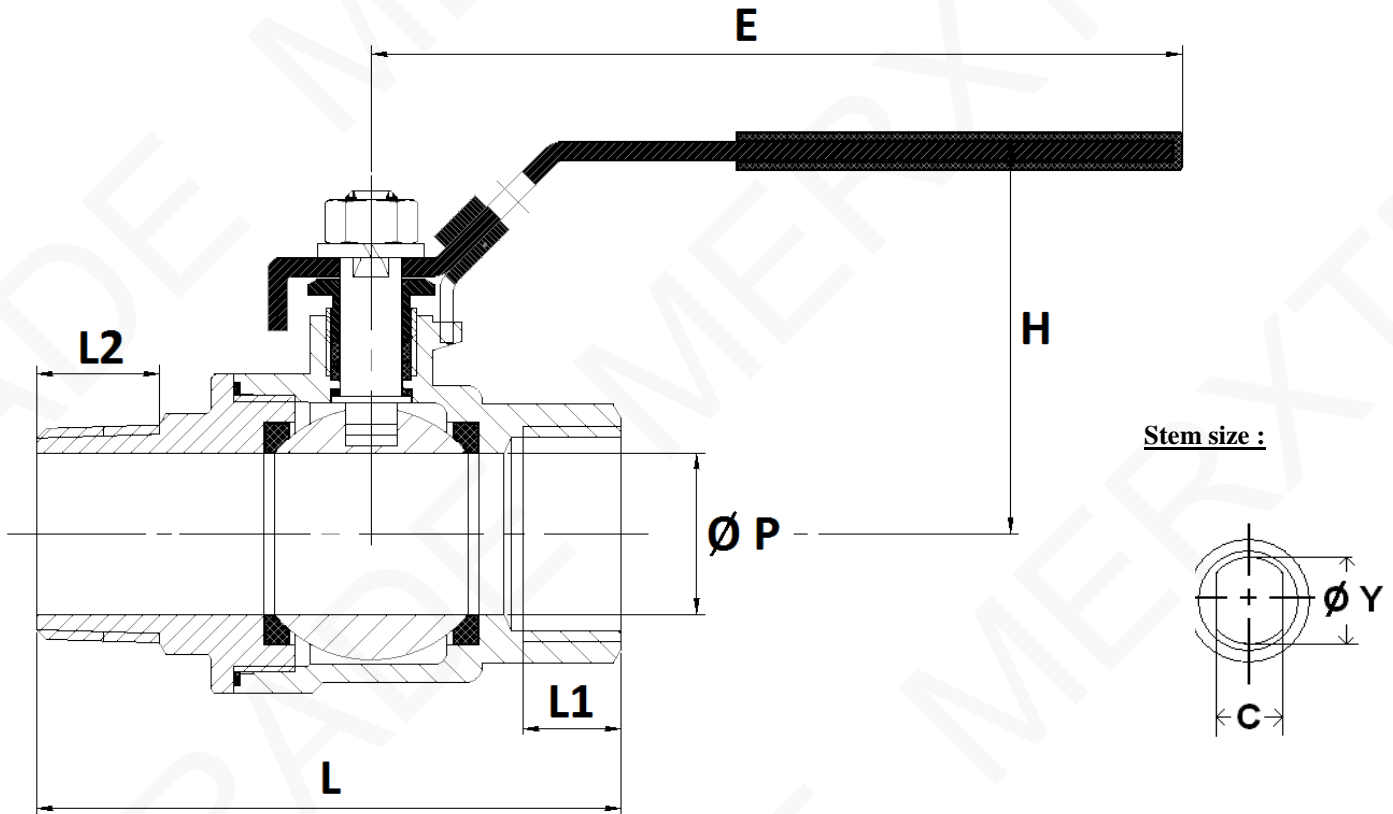
MATERIALS :



Item	Designation	Materials
1	Body	ASTM A351 CF8M
2	Bonnet	
3	Ball	AISI 316
4	Stem	PTFE filled with 3% glass
5	Seat	
6	Gasket	PTFE
7	Stem gasket	
8	Packing	AISI 304
9	Packing nut	
10	Washer	
11	Handle nut	
12	Locking device	Plastic
13	Handle	
14	Handle cover	

2 PIECES BALL VALVE PN63 MALE - FEMALE

SIZE (in mm) :



Stem size :

Ref.	DN	1/4"	3/8"	1/2"	3/4"	1"	1"1/4"	1"1/2"	2"
789	Ø P	10.8	11.6	15	20	25	32	38	50
	L	56.5	58.2	69	77.7	90.5	105.5	114.2	139.5
	E	103	103	103	126	126	154	154	192
	H	43.5	43.5	49	59.4	63	80	84	94
	L1	10.5	10.5	13	13.2	15.2	18	18.3	22.5
	L2	11	11.4	15	16.5	19	21.5	21.5	26
	C	5	5	5	5.8	5.8	7	7	8
	Ø Y	8	8	8	9.2	9.2	11	11	12.4
	Weight (Kg)	0.18	0.19	0.26	0.42	0.63	1.07	1.48	2.60

2 PIECES BALL VALVE PN63 MALE - FEMALE

TORQUE VALUES (in Nm without safety coefficient) :

DN	1/4"	3/8"	1/2"	3/4"	1"	1"1/4	1"1/2	2"
Torque (Nm)	4	4	6	10	14	20	25	35

STANDARDS :

- Fabrication according to ISO 9001 : 2015
- DIRECTIVE 2014/68/EU : CE N° 0035
Risk Category II Module D1
- 3.1 certificate on request
- Pressure tests according to ISO 5208, Rate A
- Threaded female BSP cylindrical ends according to ISO 228-1 and male BSP conical according to ISO 7-1 R

ADVICE : Our opinion and our advice are not guaranteed and MXT shall not be liable for the consequences of damages. The customer must check the right choice of the products with the real service conditions.

INSTALLATION AND MAINTENANCE

BEFORE INSTALLATION :

Pipe-line must be cleaned and free from residual of weldings, rubbish, shaving and every kind of extraneous materials.
Pipe-line must be perfectly aligned and their support properly dimensioned so that there's no external constraint.

Please use the right product according to the services conditions to seal the valve.
Use the right bolt tightening so that the ends won't be damaged.

CLEANING AND TESTS

Keep closed the valves during the cleaning operation so that there's no impurities between the ball and the body.

Tests under pressure must be done with a cleaned pipe-line.

Open partially the valve for tests. Pressure test do not exceed the valve specifications according to ISO 5208.

MAINTENANCE

It's recommended to operate the valve twice (open and close) 1 to 2 times per year.

When intervention on the valve, be sure there's no pressure in the pipe-line, there's no fluid in it, and that it is isolated.
The temperature must be low enough to operate without risks.
If there's a corrosive fluid, inert installation before intervention.

When the valve is under pressure :

If there's a leakage at the packing, tighten it slightly so that the leakage disappears.